

Datasheet

48V 36F Ultra capacitor Module



GTSM-48V36FUS



FEATURES AND BENEFITS

- Compact, fully enclosed splash proof design
- Highest power performance
- Individually balanced cells
- Over 1,000,000 duty cycles
- Ultra-low internal resistance

TYPICAL APPLICATIONS

- Electric vehicle
- Fork lift, Cranes
- Telecommunications
- Railway transportation
- Engine starting

SPECIFICATIONS

ELECTRICAL

Capacitance

Nominal capacitance	36 F
Capacitance tolerance	+20% / -10%

Voltage

Rated voltage	48 V
Absolute Maximum Voltage	51 V
Maximum Series Voltage	750 V

Resistance

ESR, DC	16mΩ
---------	------

Current

Maximum continuous current (ΔT=40°C)	60 A
Maximum peak current, 1 sec.	500A
Maximum leakage current	1.8mA

TEMPERATURE

Operating temperature range

(Cell case temperature)	-40°C to +65°C
-------------------------	----------------

Storage temperature range

(Storage uncharged)	-40°C to +70°C
---------------------	----------------

PHYSICAL

Weight	8.5kg
--------	-------

Power Terminals	M8/M10
-----------------	--------

Recommended Torque - Terminal	20/30 Nm
-------------------------------	----------

Vibration Specification	GB-T 11287-2000
-------------------------	-----------------

Shock Specification	GBT 14537-1993
---------------------	----------------

Environmental Protection	IP65
--------------------------	------

MONITORING / CELL VOLTAGE MANAGEMENT

Internal Temperature Sensor	NTC Thermistor
-----------------------------	----------------

Cell Voltage Monitoring	Overvoltage Alarm
-------------------------	-------------------

POWER AND ENERGY

Usable power density (Pd)	2032 W/kg
---------------------------	-----------

Impedance match power density (Pmax)	4235 W/kg
--------------------------------------	-----------

Gravimetric energy density (E _{max})	1.36Wh/kg
--	-----------

Energy available	11.5 Wh
------------------	---------

LIFE

High Temperature (at Rated Voltage & Maximum operating Temperature)	1,500 hours
---	-------------

Capacitance change (% decrease from minimum initial value)	≤20%
---	------

ESR change (% increase from minimum initial value)	≤100%
---	-------

Room Temperature (at Rated Voltage at 25°C)	10 years
---	----------

Capacitance change (% decrease from minimum initial value)	≤20%
---	------

ESR change (% increase from minimum initial value)	≤100%
---	-------

Cycle Life (Number of cycles)	1,000,000 times
---	-----------------

Capacitance change (% decrease from minimum initial value)	≤20%
---	------

ESR change (% increase from minimum initial value)	≤100%
---	-------

Shelf Life (Stored uncharged up to a maximum storage temperature)	2 years
---	---------

SAFETY

Short circuit current (I_{sc}) (Current possible with short circuit from rated voltage. Do not use as an operating current.)	3000 A
--	--------

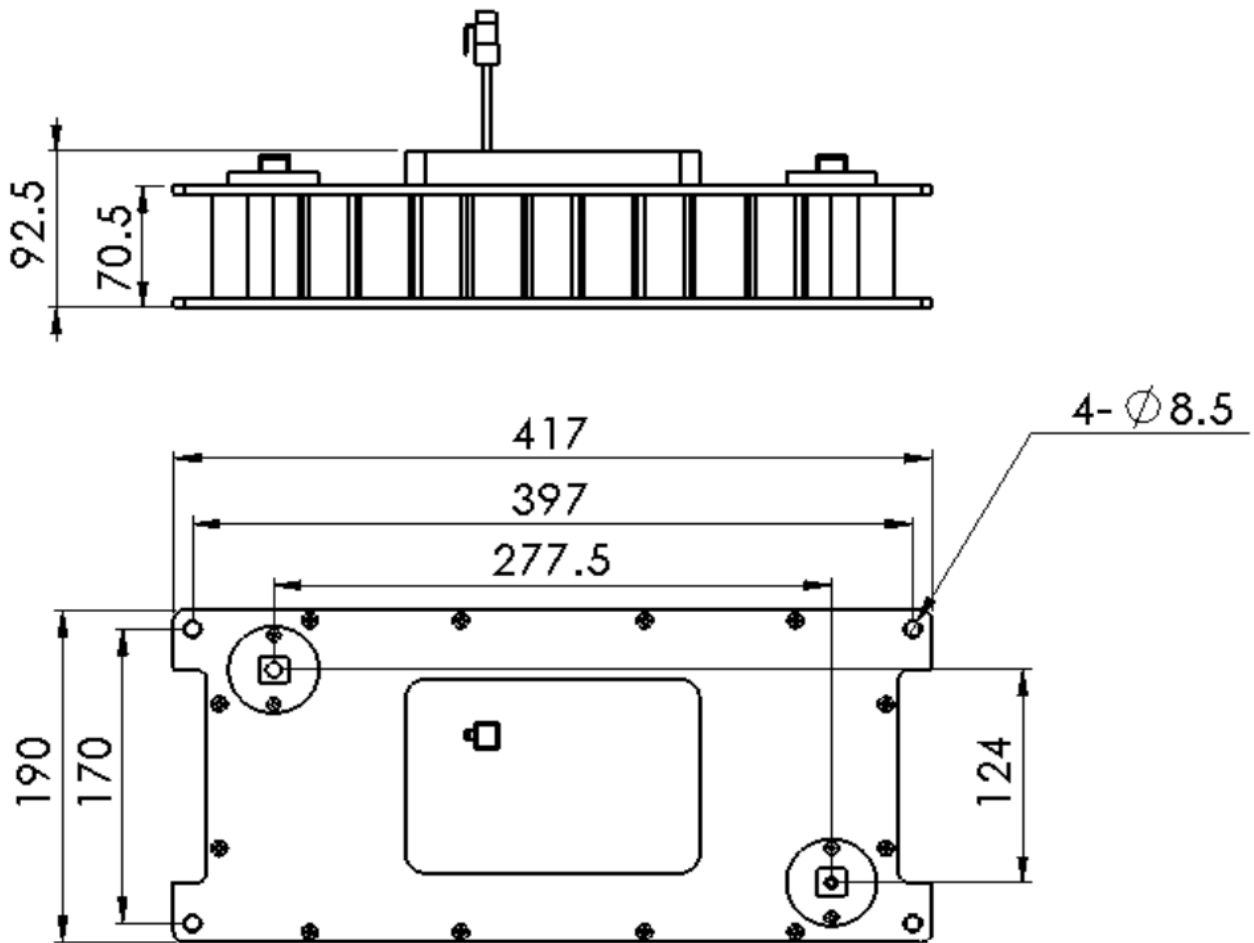
Factory High-Pot Test	1,500 V/DC
------------------------------	------------

Datasheet

48V 36F Ultra capacitor module



GTSM-48V36FUS



Part Number	Dimension (mm)			Package Quantity(set)
	L (±0.5mm)	W (±0.5mm)	H (±0.5mm)	
GTSM-48V36FUS	417.0	190.0	92.5	1

Product dimensions are for reference only unless otherwise specified. Product dimensions and specifications may change without notice. Please contact GTCAP directly for any technical specifications critical to application.